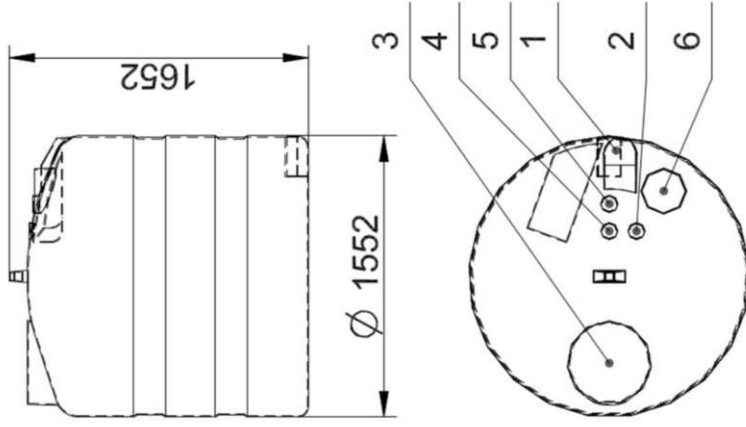
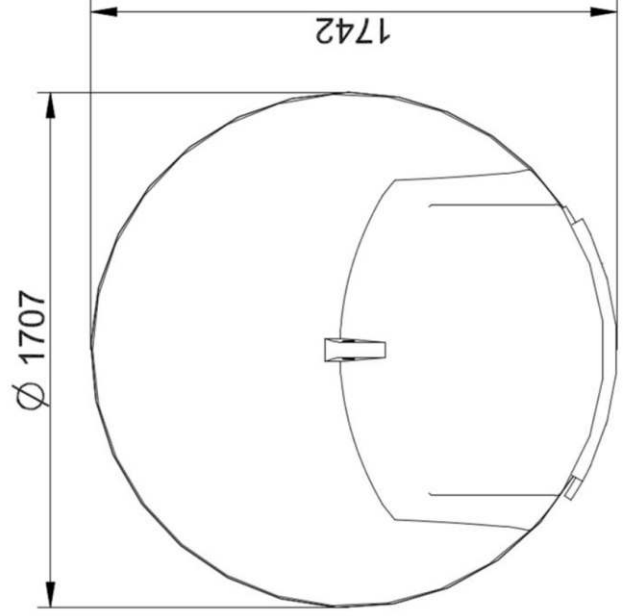
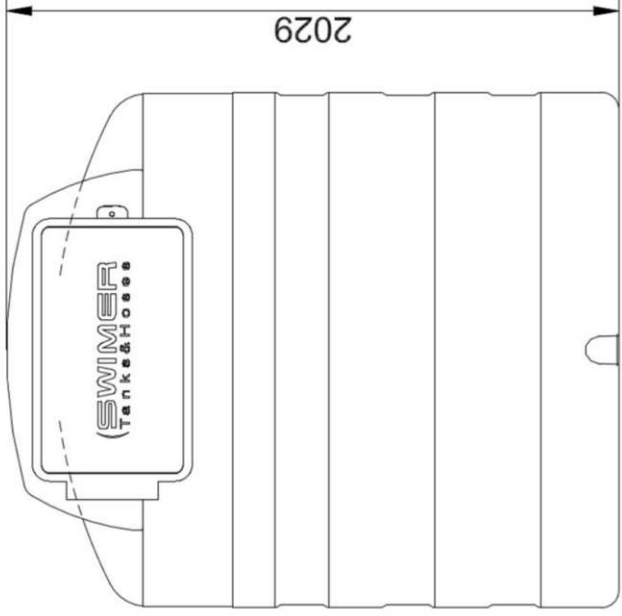


Inner tank
-equipment arrangement

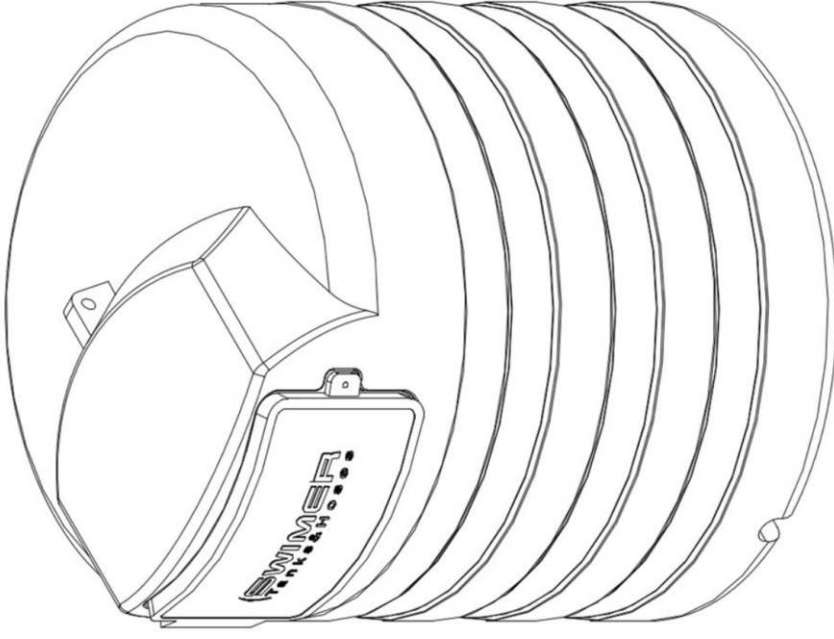


In accordance with norm: PN-EN 13341
 Capacity: 2500 L
 Material: PE-LLD
 Dimensions: fi 1707 mm x 2029 mm
 Use: Fuel flammable with a flash-point > 55°C
 Minimum wall thickness: 4,8 mm

Dimensions of external tank



Isomeric view
-configuration of two tanks



Legend

1. Filling system
2. Ventilation system
3. Inspection hatch
4. Overfill protection
5. Leakage sensor
6. Vent for suction hose

Name	Date	Designation
K. Dziuboz	06-2015	SWIMER TANK 2500 ECO-LINE
K. Dziuboz	06-2015	No drawing
L. Orzebia	06-2015	STEL-2500-00.00.00-00
Fabric: PE - LLD - Dowlex NG 2432		
Scale		
Weight		
Sheet		
1/1		

SWIMER
Tanks&Hoses