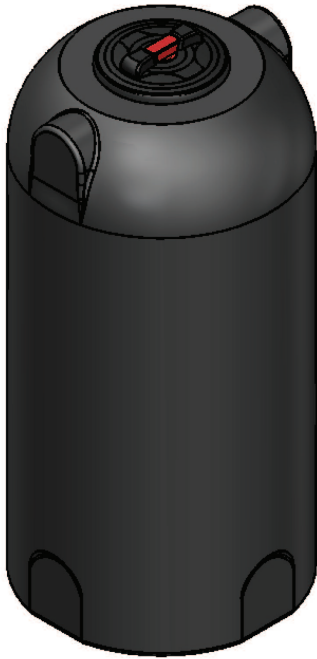


# Think Tank. Think ENDURATANK

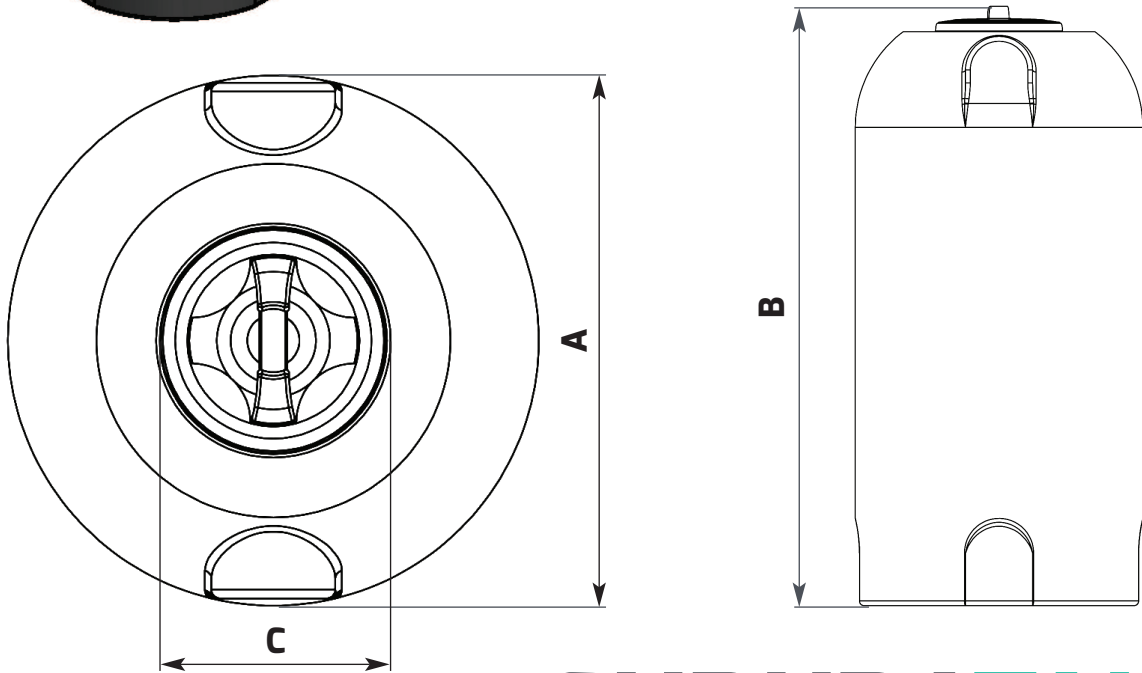
**NEED  
MORE HELP?  
CALL US ON  
01778 562810**



## VERTICAL TANK TECHNICAL SPECIFICATION

POTABLE	172503	NON - POTABLE	1725031
CAPACITY (Litres)	300	CAPACITY (Gallons)	66

A (mm)	600	B (mm)	1200
C (mm)	255	Standard Outlet	1.5"



# ENDURATANK

© Enduramaxx 2015. Copyright of this drawing is reserved by Enduramaxx. The issue of this drawing is confidential disclosure of its contents, and is made conditional that it is neither disclosed to a third party, nor any item described herein and designed by Enduramaxx is produced either in whole or in part without the written consent of Enduramaxx.



Enduratank part of the Enduramaxx Family  
01778 562810 sales@enduratank.co.uk

Visit us at [www.enduratank.co.uk](http://www.enduratank.co.uk)