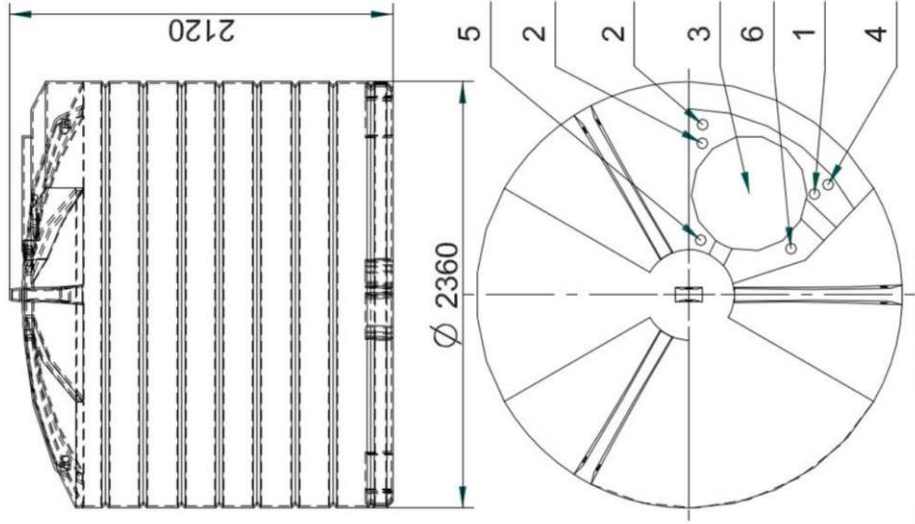
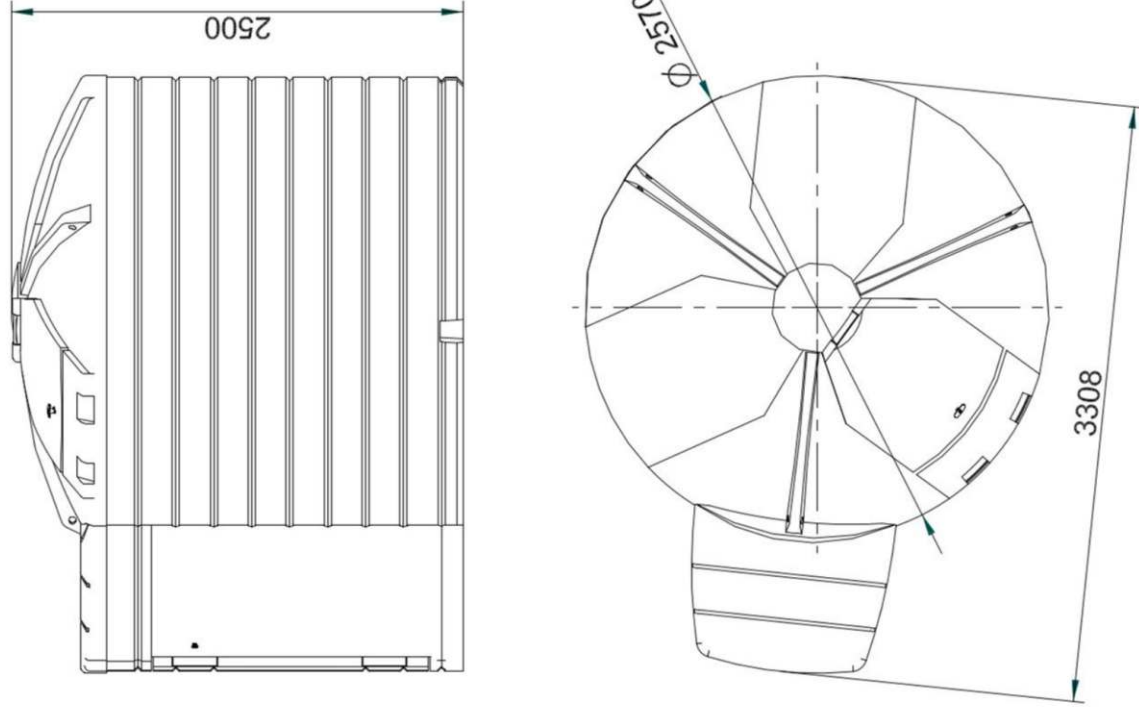


Inner tank -equipment arrangement

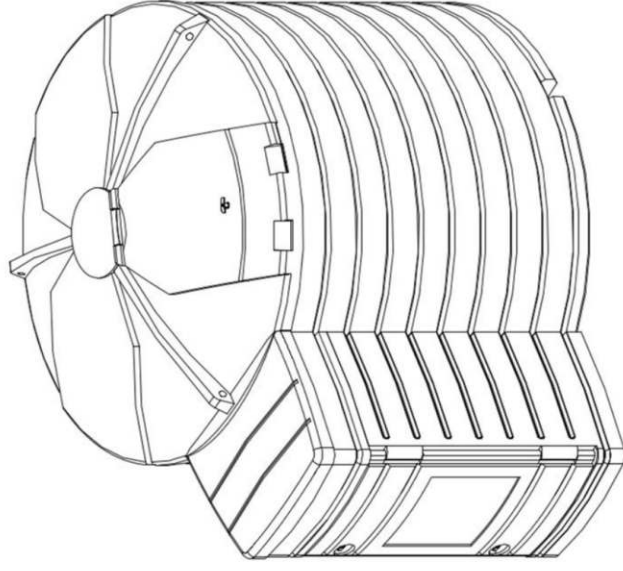


In accordance with norm: PN-EN 13341
 Capacity: 7500 L
 Material: PE-LLD
 Dimensions: 2500 mm x 2570 mm x 3300 mm
 Use: Fuel flammable with a flash-point > 55°C
 Minimum wall thickness: 5,4 mm

Dimensions of external tank



Isomeric view
-configuration of two tanks



Legend

1. Filling system
2. Ventilation system
3. Inspection hatch
4. Overfill protection
5. Leakage sensor
6. Vent for suction hose

Drawn	Name	Date	Designation
Checked	K. Dziadosz	06-2015	SWIMMER TANK 7500
Approved	L. Ormias	06-2015	No drawing: ST-7500-00.00-00
Fabric: PE - LLD - Dowlex NG 2432			Rev.
Scale: 1:20			Weight
Tanks&Hoses			Sheet
			1/1