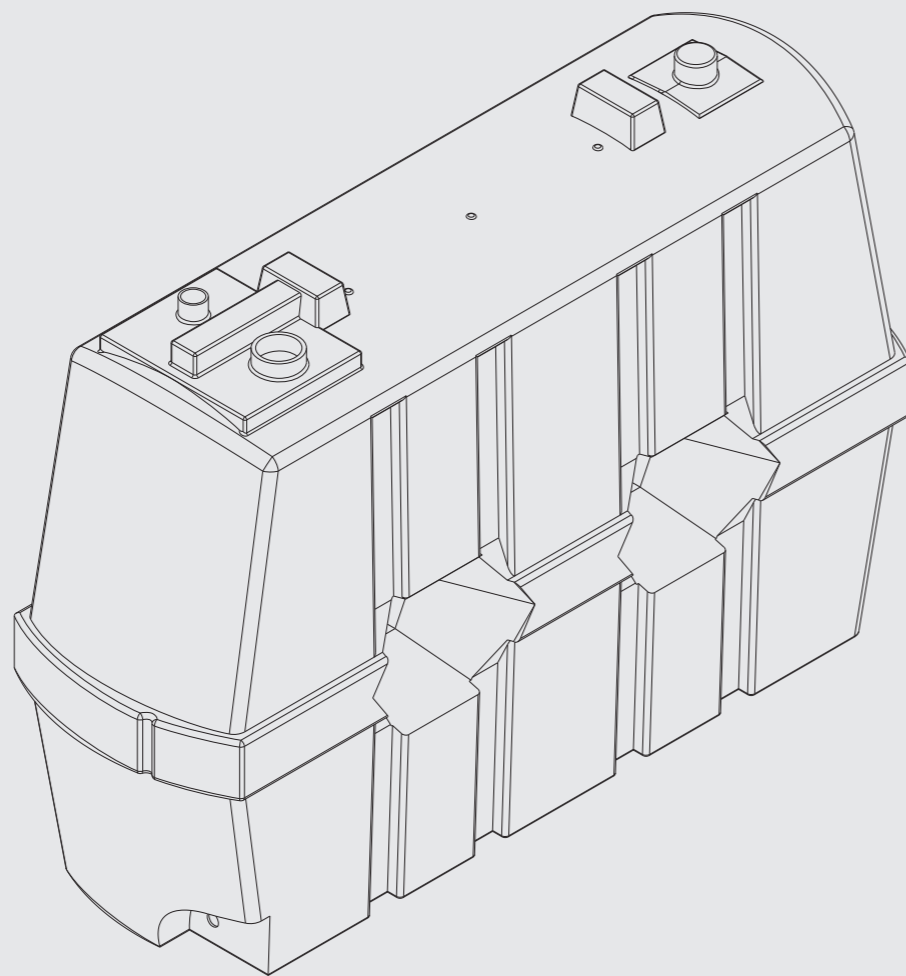


# DESO

## ENGINEERING

Deso Engineering  
Slade Way  
Roughmoor Industrial Estate  
Williton  
Somerset  
TA4 4TB

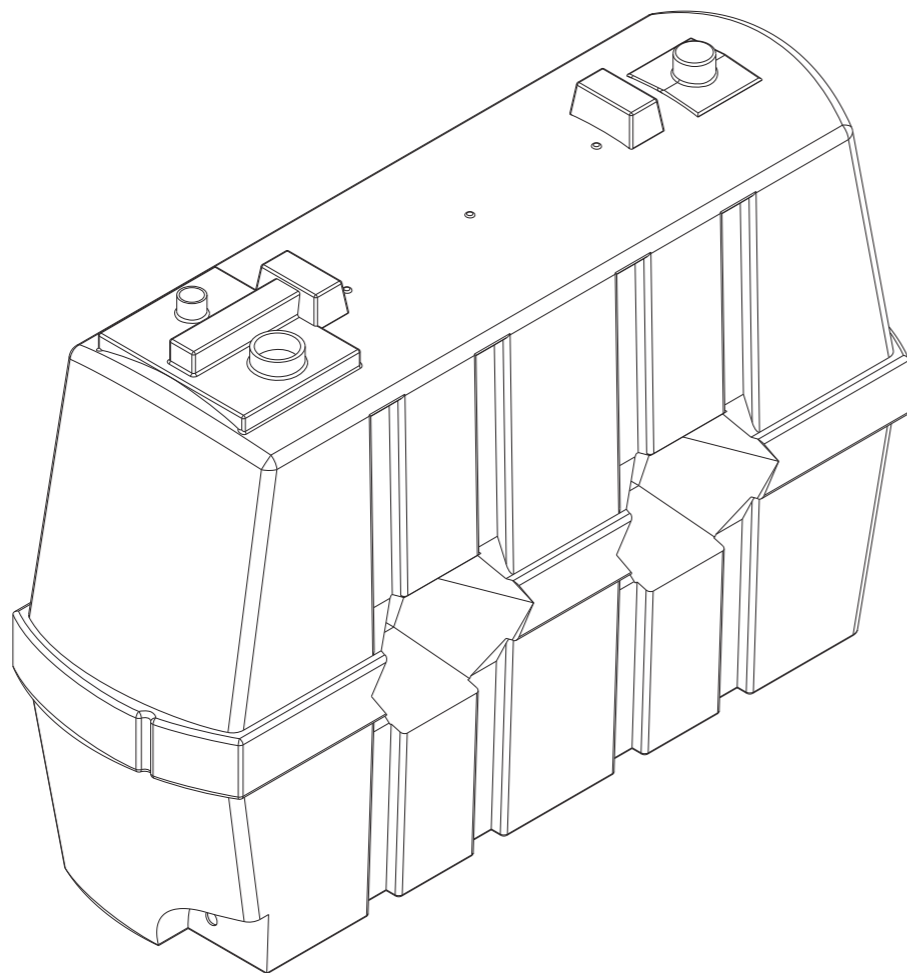
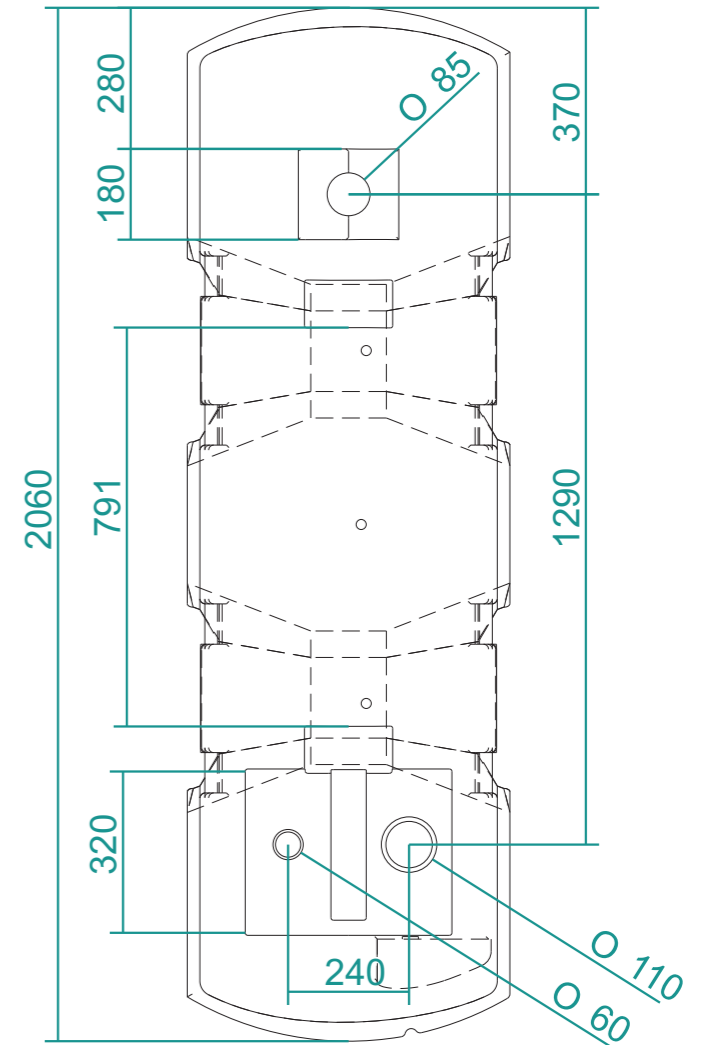
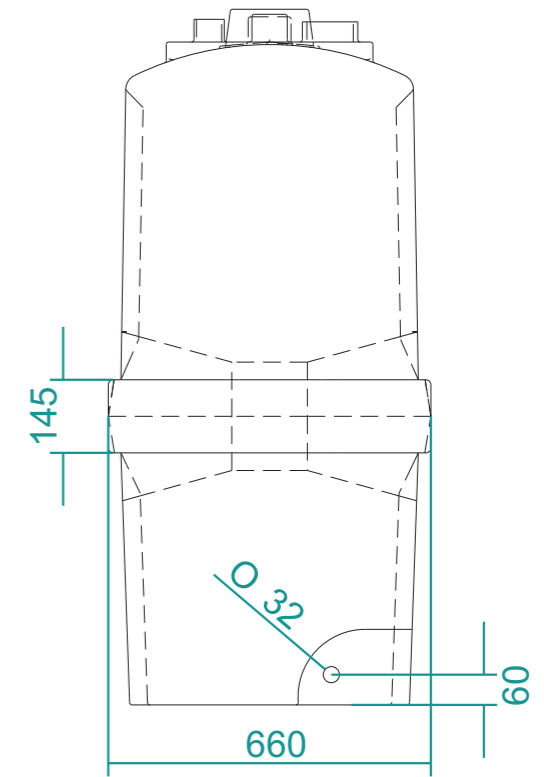
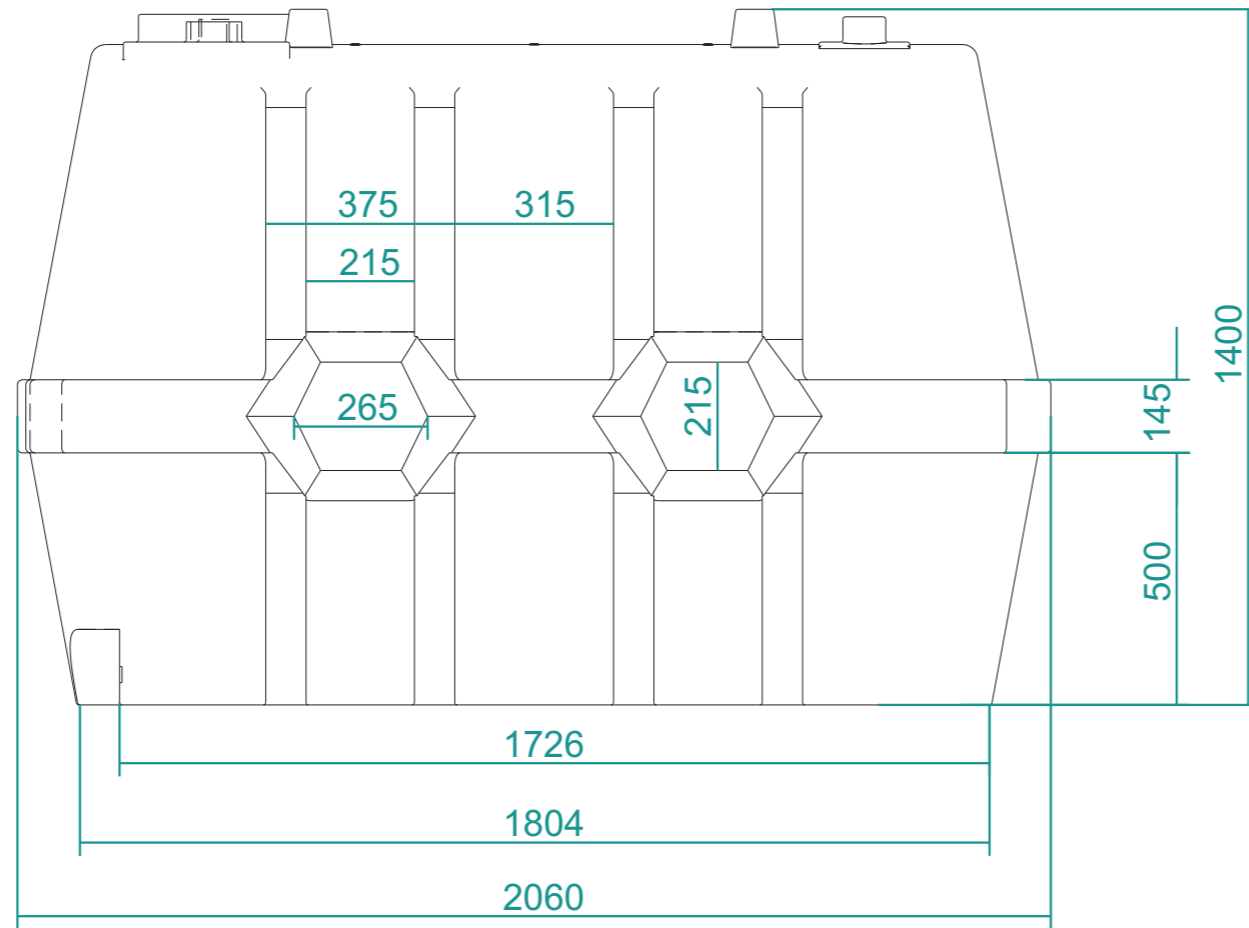
Telephone - 01984 632026  
Fax - 01984 634267  
[enquiries@desoengineering.co.uk](mailto:enquiries@desoengineering.co.uk)



# R1220

Weight	70kg
Capacity	1220litres
Diameter	-
Length	2060mm
Width	660mm
Height	1400mm
Ofcert licence No.	0668040201

# R1220



R1220	No. 1 of 1	3rd Angle Orthographic	scale: <b>1:15</b>	Design by Inky Design www.inky-design.co.uk
<b>DESO</b> <b>ENGINEERING</b> Telephone - 01984 632026		drawn by: Jonathan Taphouse (BEng)		
		date: 23 - 04 - 2010		ISO