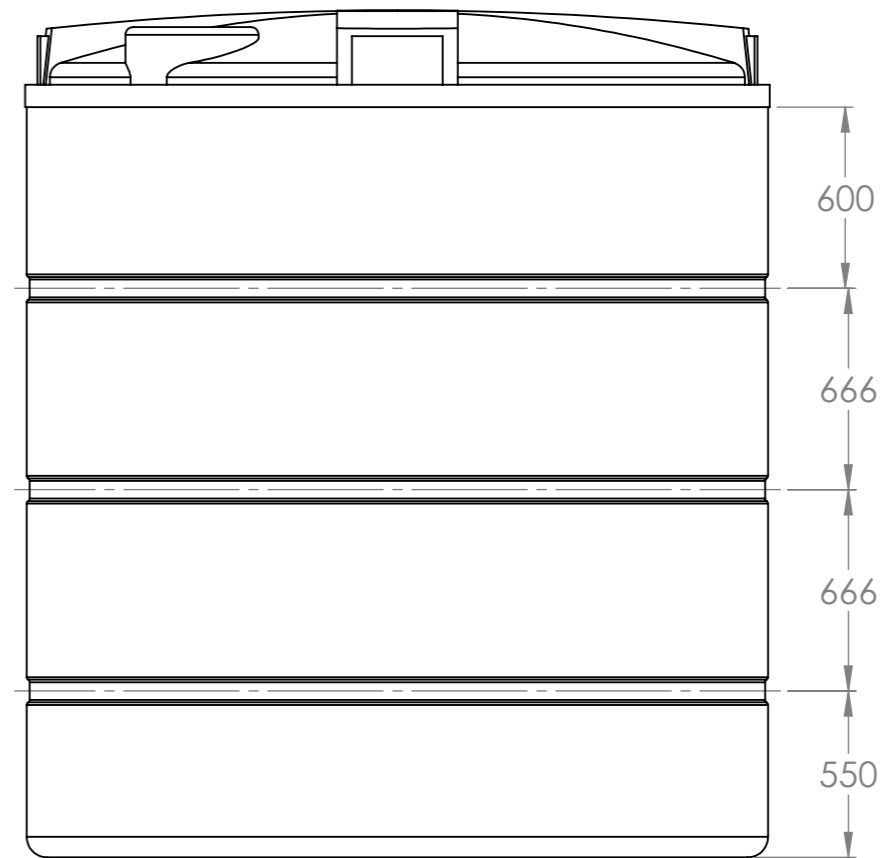
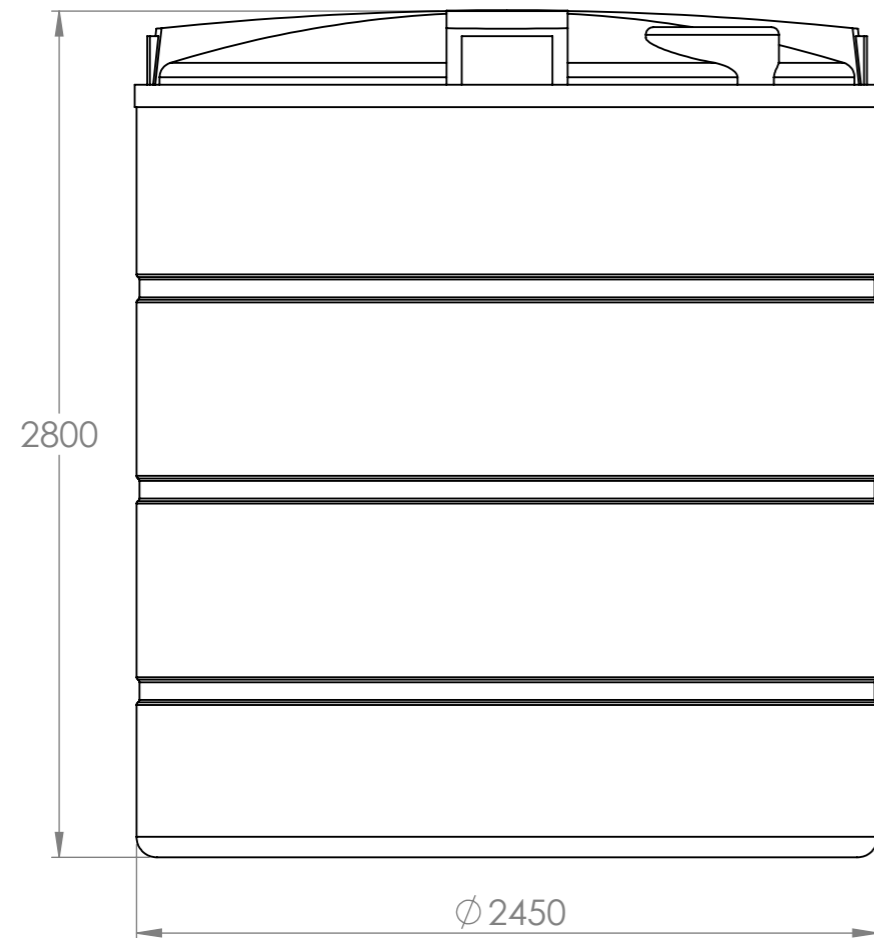


Weight: 400 kg
Capacity: 10,000 L



Please check with Kingspan Environmental that this drawing is the latest issue				
Issue	Date	Drawn by	Approved by	Description
01	08/03/13	S.Widdicombe		Initial Release

Material : PE
Finish :
Weight : Kgs

Tolerance :
Thickness :
Surface Area :

Drawing : 110190 DESO V10000 Bund Page 1 of 1

DESO V10000 Bund

All dimensions in mm

Scale: Not to scale

Kingspan Environmental reserve the right to alter the details of this drawing without prior notice. This drawing is copyright and may not be reproduced or used without the written permission of Kingspan Environmental.

